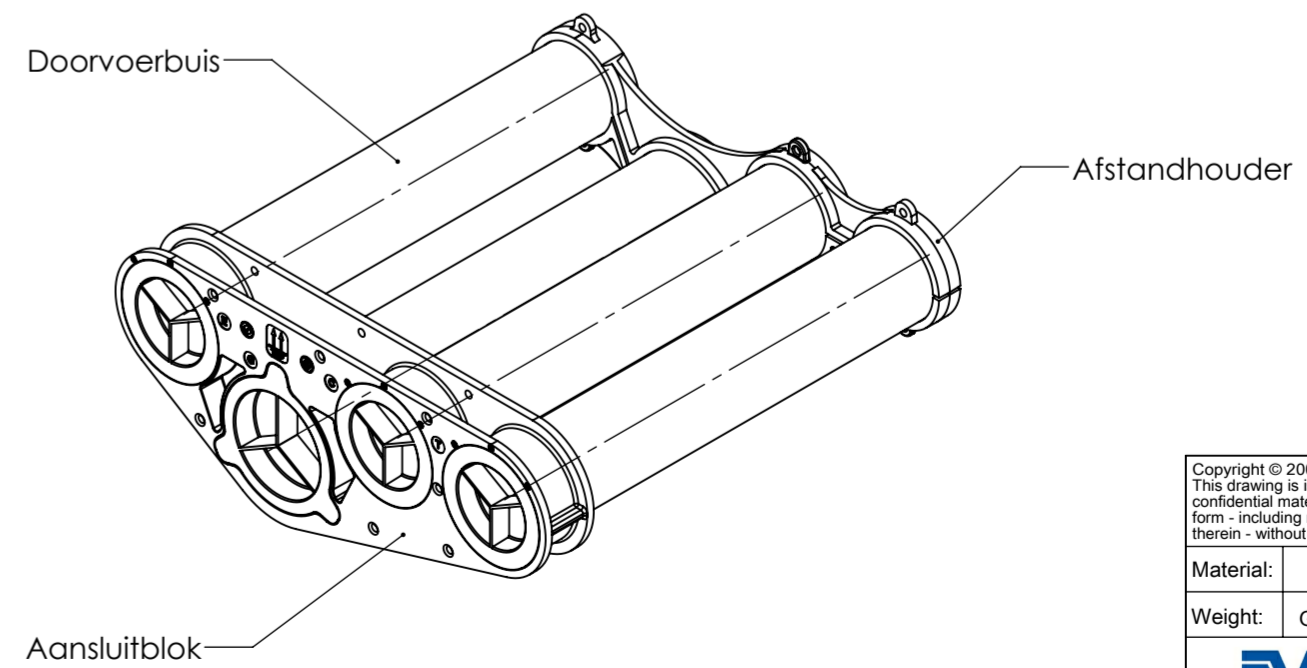
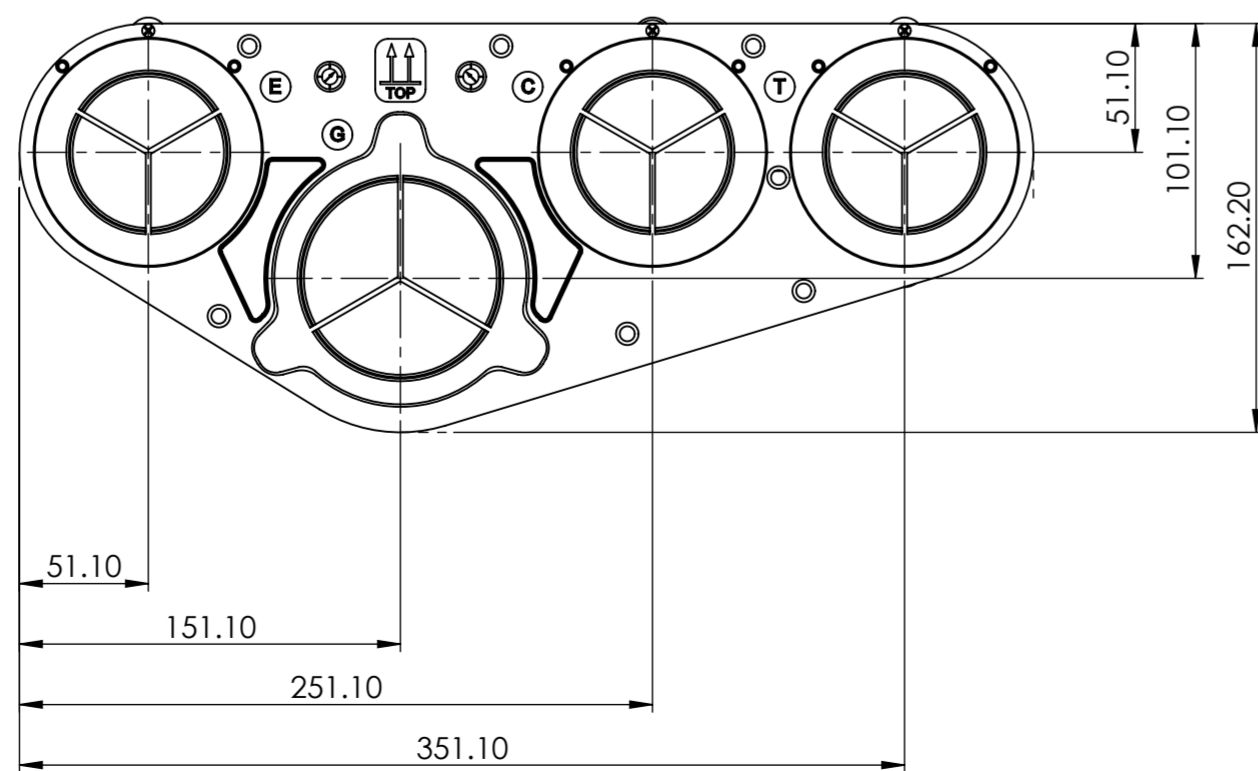


BOVENAANZICHT

ONDERAANZICHT



Copyright © 2007 The AVK Group This drawing is issued by AVK. The drawing is confidential material. It must not be reproduced in any form - including manufacture of the product shown therein - without the written consent of AVK.		Tolerances roughness geometry tol	ISO-406 ISO-1302 ISO-1101	0-3 ± 0.1 3-30 ± 0.3 30-300 ± 0.5 300-2000 ± 1 angle ± 1°	
Material:		Drawn by:	JvdG	Date:	02-10-09
Weight:	Gr.	Appr. by:	-	Date:	-
AVK Plastics BV Gaikemastraat 62 8561 AN Balk		Projection:		Size:	A2
		Title:		Scale:	1:3

REV.	DESCRIPTION	DATE	BY
ONT-02	Schaal in rechthoek aangepast naar 1:3	2-11-2009	JvdG
ONT-01	-	2-11-2009	-

Article No.:	-	Drawing No.:	PR-436-01	Rev.:	ONT-02
--------------	---	--------------	-----------	-------	---------------